



New CTP Replacement Parts for Heavy Equipment

### CTP SEATS



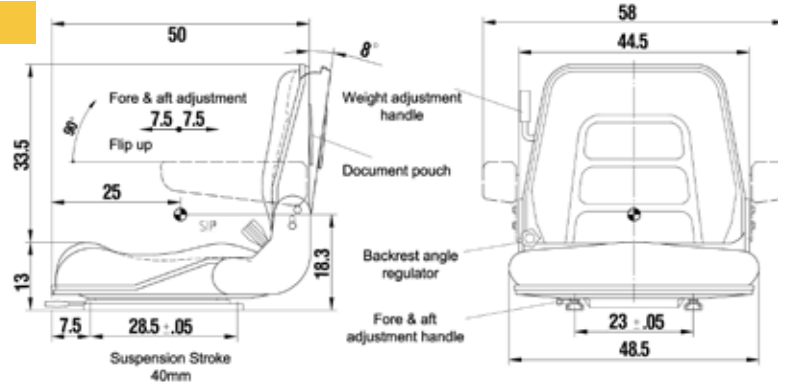
**8 New Models!!**  
**Now with MORE Features than EVER!**

**CTP Seats now include more features to enhance the operator's comfort!**  
(seats only for heavy equipment)



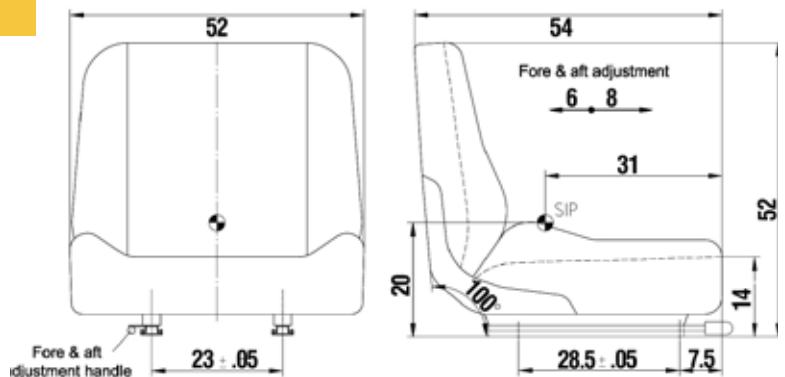
#### CTP906A

- Adjustable armrest, flip up
- Weight Adjustment
- Fore and Aft Adjustment Handle
- Document Pouch
- Backrest Angle regulator



#### CTP906B

- Fore and Aft Adjustment Handle



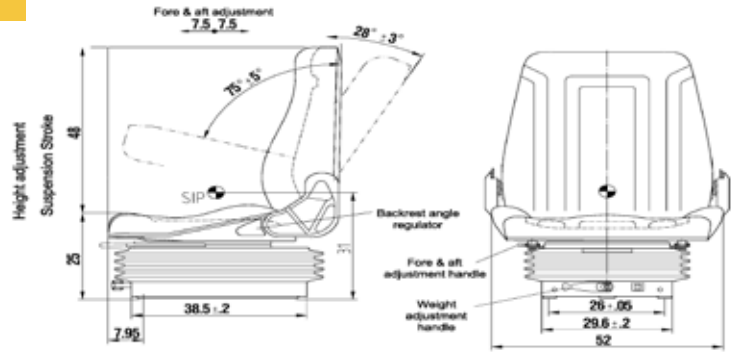
†All Measurements in CM

**Quality with Value Guaranteed™**



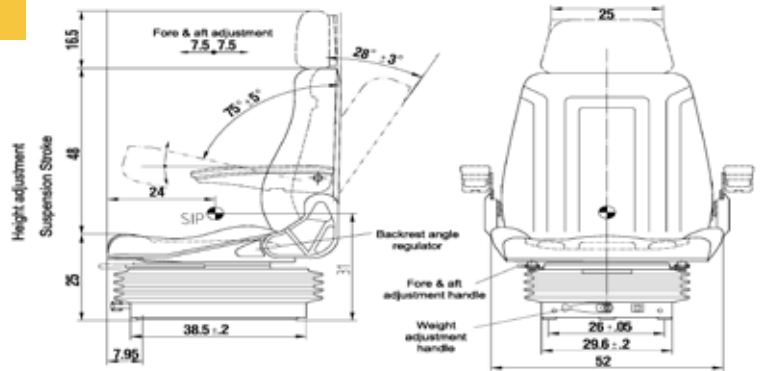
## CTP906C

- Backrest Angle Regulator
- Weight Adjustment
- Height Adjustment
- Suspension included
- Backrest angle regulator up to 28°
- Fold Forward Seat
- Durable Vinyl
- Option for headrest (see CTP906D)



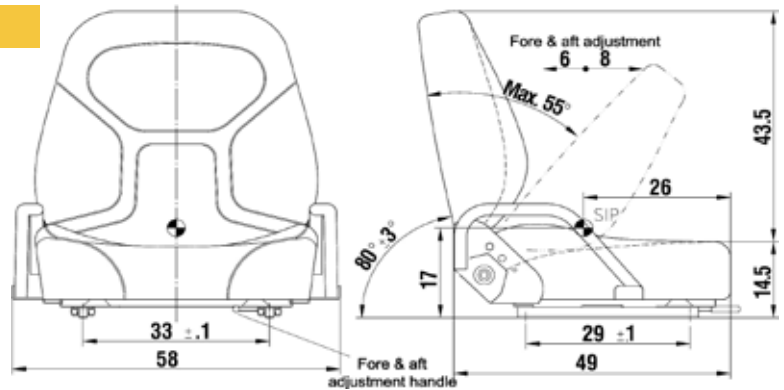
## CTP906D

- Weight Adjustment
- Height Adjustment
- Suspension Stroke
- Backrest angle regulator up to 28°
- Fold Forward Seat
- Fore and Aft Adjustment handle
- Adjustable armrest
- Headrest



## CTP906E

- Fold Forward Max. 55°

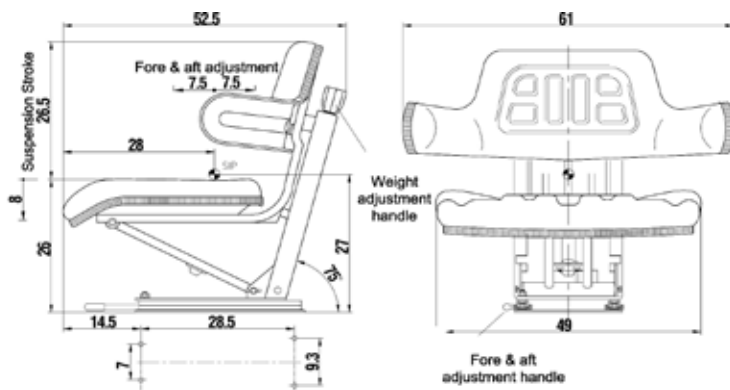


†All Measurements in CM



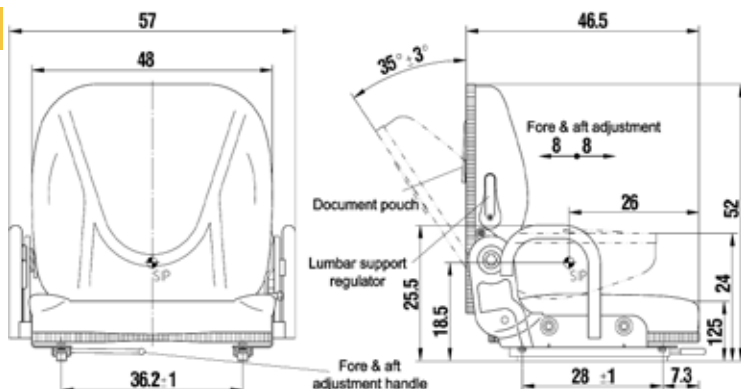
### CTP906F

- Integral One piece back foam and PVC trim
- Wraparound back
- Adjustable installation angle between the base plate and back
- Slide rail or plate for Fore and Aft adjustment



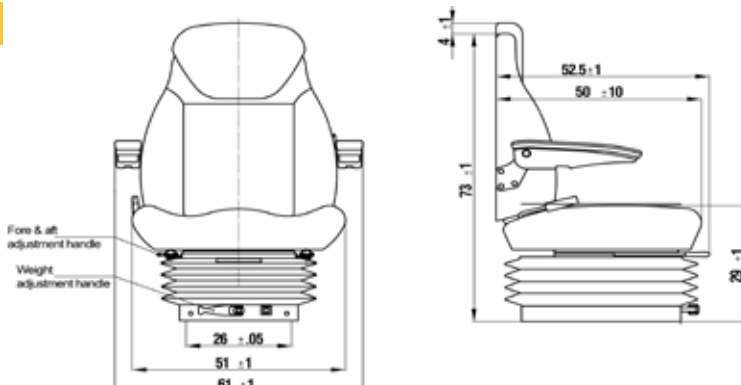
### CTP906G

- Document Pouch
- Lumbar Support Regulator
- Fore and Aft Adjustment Handle
- Fold Forward Seat
- Backrest up to 35 Degrees



### CTP906H

- Headrest
- Flip Up & Adjustable Armrest
- Vinyl Upholstery
- Adjustable Upper Backrest
- Height Adjustment
- Mechanical Suspension
- Adjustable Back Rest, up to 80°
- Weight Adjustment
- Fold Forward Max. 55°
- Slides for Fore and Aft Adjustable



†All Measurements in CM

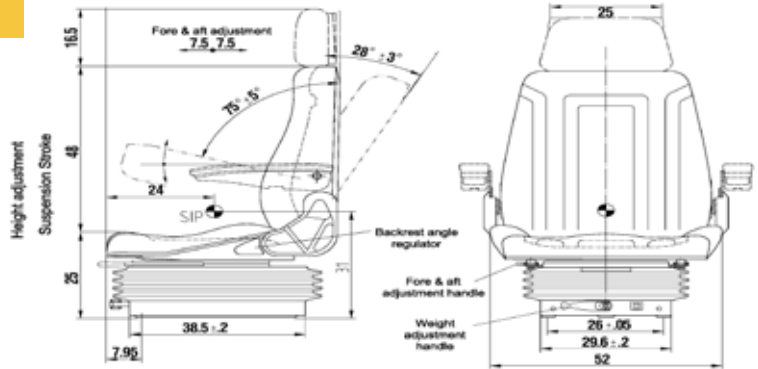
Quality with Value Guaranteed™

Brand New Model!



## CTP9061

- Weight Adjustment
- Height Adjustment
- Mechanical Suspension
- Backrest angle regulator up to 28°
- Fold Forward Seat
- Fore and Aft Adjustment handle
- Adjustable armrest
- **Swivel Plate 360°**

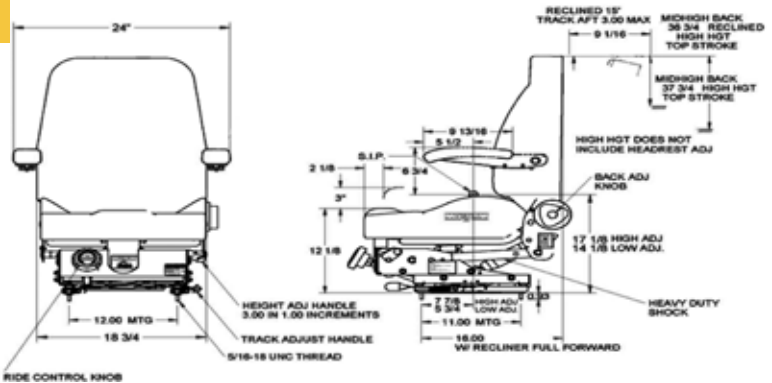


Brand New Model!



## CTP907E

- Patented “knee-action” mechanical suspension
- Built-in, contoured lumbar and thigh support
- High or low-profile backrest
- Easy and fast one-hand control height adjustment with four positive lock positions
- Operator weight adjustments
- Contour comfort cushions
- Backrest angle regulator up to 15°
- Fore/Aft Adjustment handle

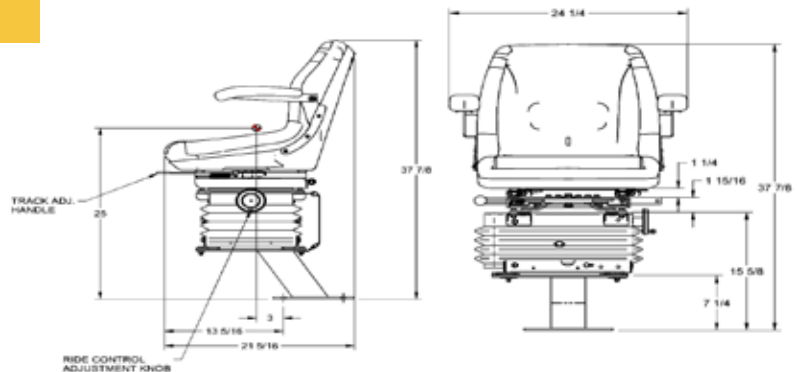


Brand New Model!



## CTP907F

- Spray Skin Technology (SST)
- Rugged blow-molded plastic bucket
- 4-inch fore/aft slide adjustment
- Water resistant material
- No sewn covers
- Ultra Low Profile Suspension
- Foam is recyclable
- **Swivel Plate 306°**



## SUMMARY TABLE OF KEY FEATURES

		CTP906A	CTP906B	CTP906C	CTP906D	CTP906E	CTP906F	CTP906G	CTP906H	CTP906I	CTP907A	CTP907B	CTP907C	CTP907D	CTP907E	CTP907F
Backrest Angle Regulator		✓		✓	✓				✓	✓						
Weight Adjustment handle		✓		✓	✓		✓		✓	✓					✓	✓
Height Adjustment				✓	✓				✓	✓					✓	✓
Mechanical Suspension included				✓	✓				✓	✓				✓	✓	✓
Fold Forward Seat					✓	✓		✓	✓	✓						
Handrail						✓		✓								
Headrest					✓				✓	✓						
Slides for Fore and Aft Adjustment							✓		✓						✓	
Adjustable Armrest		✓			✓				✓	✓					✓	✓
Document Pouch		✓						✓								
Fore and Aft Adjustment Handle		✓	✓	✓	✓		✓	✓		✓					✓	

\* Other part no. not included in the list are available. Please contact your sales representative if you have any questions. Part Numbers are used for reference purposes only